

WD 12 B SIMPLE MOULDING  
1-1/4"W x 3/4"D

RMF 975 ACANTHUS LEAF  
1-1/16"W x 1/2"D x 92"L

WD 73 SIMPLE MOULDING  
3/8"W x 3/8"D

RMF 1752 LAUREL LEAF  
1-1/16" W x 3/4"D x 94"L

RMF 2013 ATRIUM PANEL  
45-1/4"W x 8-1/2"H x 1-5/8"D

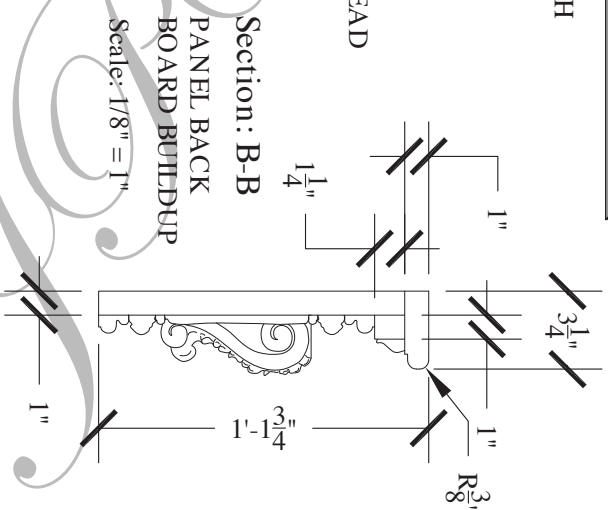
RMF 1752C LAUREL LEAF WITH  
CENTER CROSS RIBBON  
1"± W x 3/4"D x 32"L

RMF 2090 CORBEL  
4"W x 2-3/8"D x 6-1/4" L

RMF 6000 FRENCH FLOUTE & BEAD  
5-7/8"W x 1/4"D x 94"L

OVERALL PANEL DIMENSIONS  
8'-1/2"W x 1'-2"H

SCALE: 1"=1'



Section: B-B  
PANEL BACK  
BOARD BUTTDUP  
Scale: 1/8" = 1"

*J.P. Weaver Company*

Horizontal Panel Design #10

RMF 2013 Atrium &  
RMF 1752 Border

FAX: (818) 500-1798 941 AIR WAY GLENDALE, CALIFORNIA, 91201 TEL: (818) 500-1740  
WWW.JPWEAVER.COM & design@jpweaver.com